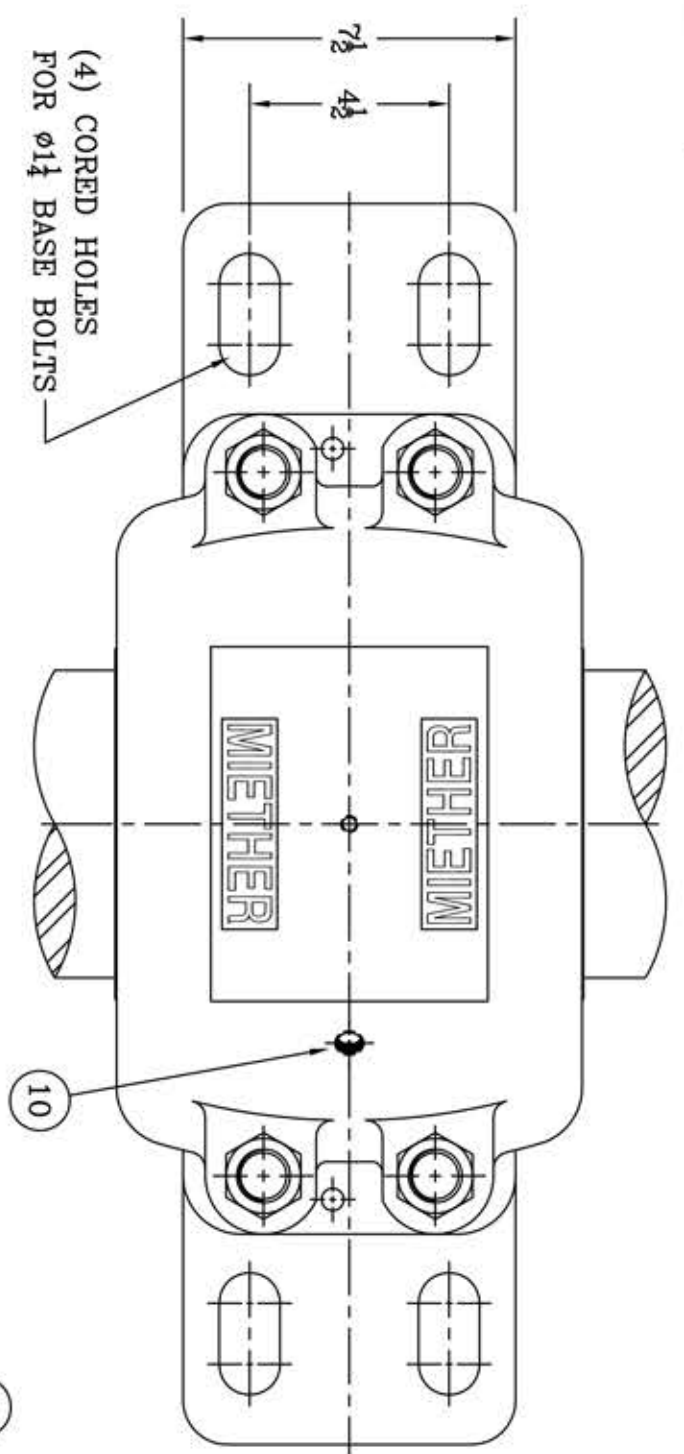


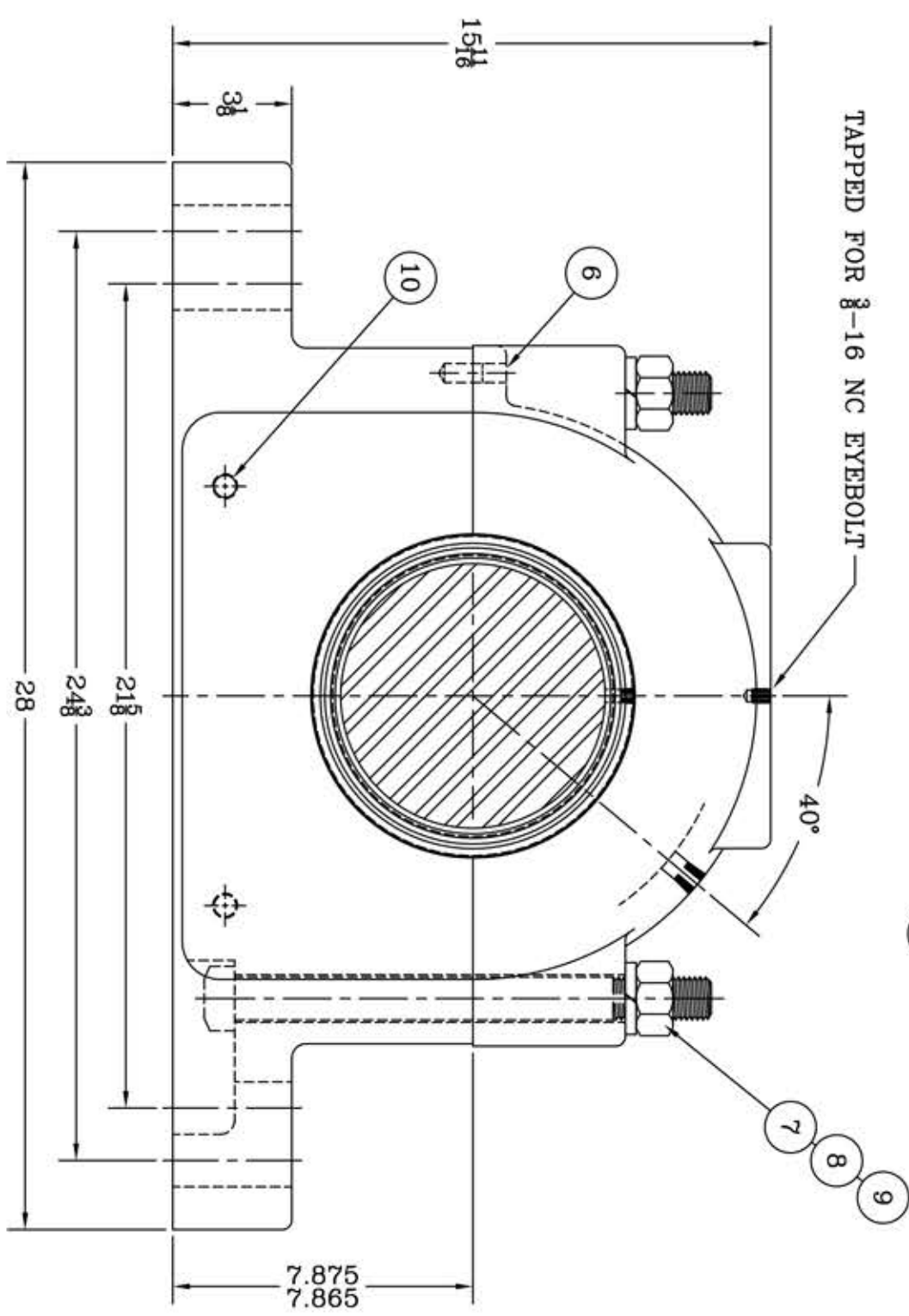
This drawing is the sole property of Miether Bearing Products and contains confidential and proprietary information. It is being provided to you for your use and may not be disclosed to any third party or used for any other purpose without Miether's prior written consent. The [materials] must be returned to the Company upon its demand. Your acceptance of these materials constitutes your acceptance of the foregoing terms.

C-27955

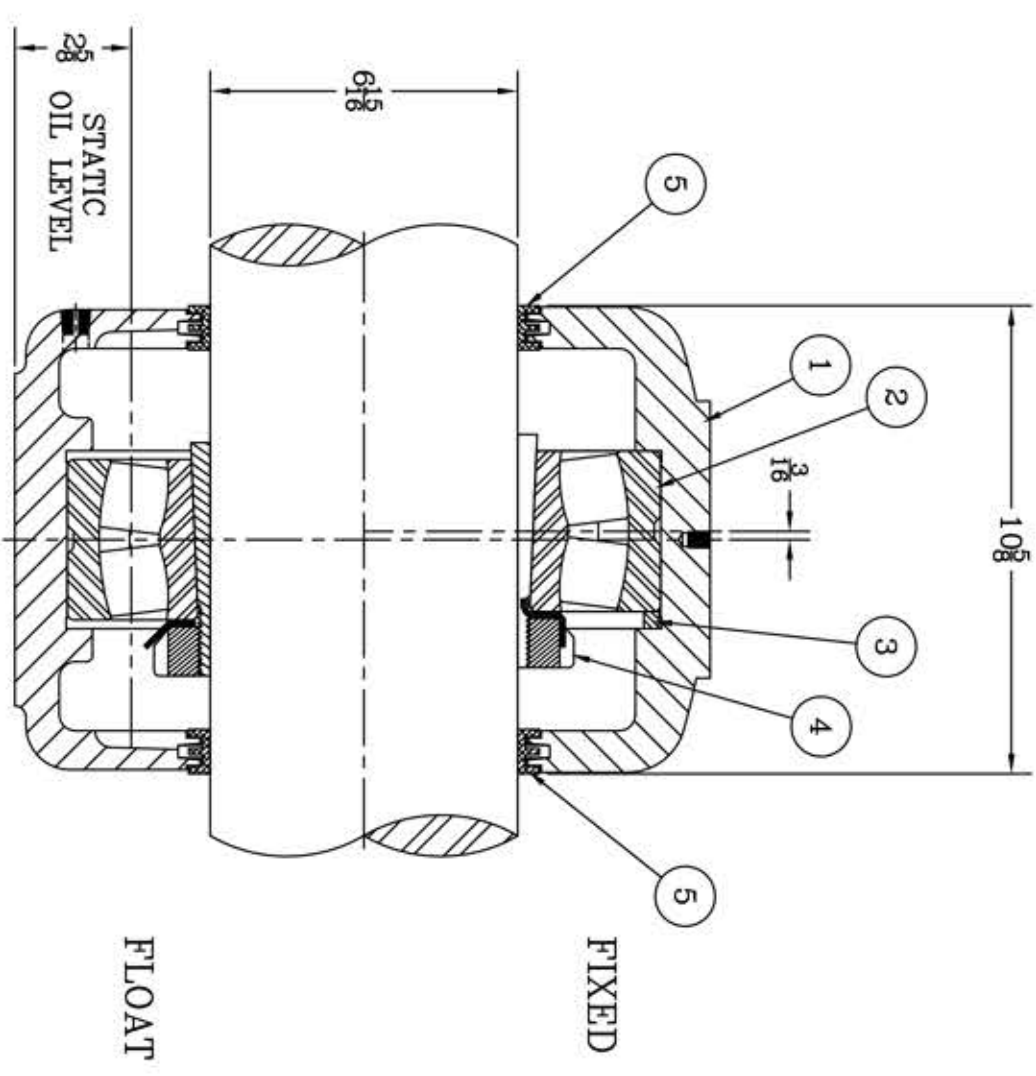


(4) CORED HOLES FOR $\phi 1\frac{1}{4}$ BASE BOLTS

TAPPED FOR $\frac{3}{8}$ -16 NC EYEBOLT



ITEM	DESCRIPTION	DETAIL	REQUIRED
1	HOUSING SAFD 538	C-13163-R	1 1
2	SPHERICAL ROLLER BEARING	22238K/W-33	1 1
3	STABILIZING RING SR-38-32	A-10555	1 0
4	ADAPTER SNW 38 06-15	B-17651	1 1
5	TRIPLE SEAL RING LER 155	A-10554	2 2
6	DOWEL	$\phi 2$ x 1" LONG	2 2
7	CAP BOLT SQUARE HEAD	$1\frac{1}{8}$ -7 NC x $12\frac{1}{2}$ LONG	4 4
8	CAP BOLT HEX. NUT	$1\frac{1}{8}$ -7 NC	4 4
9	LOCKWASHER	$1\frac{1}{8}$ SPLIT MED.	4 4
10	PIPE PLUG	$\frac{3}{8}$ -18 NPT	3 3



REVISIONS	
SYMBOL	DESCRIPTION
16	32
63	125
250	500
1000	

TOLERANCE: UNLESS OTHERWISE SPECIFIED
 FRACTIONS $\pm 1/32$ " ANGLES $\pm 0^\circ 30'$
 DECIMALS $\pm .005$ WELD $\pm 1/16$ "
 CASTING $\pm 1/16$ "
 A.I.S.I. STANDARD FINISHES

AN ALCO INDUSTRIES COMPANY
 BEARING PRODUCTS
 ODESSA, TX. USA

SAFD 22538 06-15
 ASSEMBLY DRAWING

SCALE 1 = 3
 DRAWN OMI
 DATE 4/30/97
 CHK:

ASSEMBLY NO.
 DRAWING NO.
 C-27955